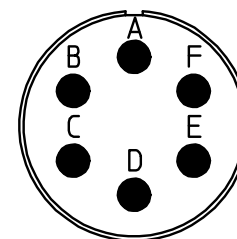
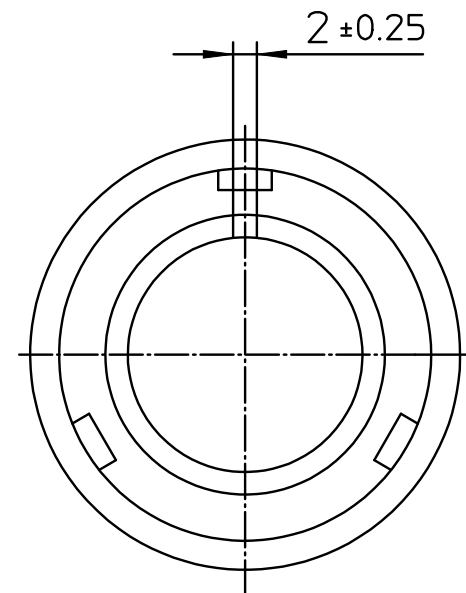


NO.	BESCHREIBUNG / DESCRIPTION
2	ISOLIERKÖRPER BUCHSE / INSULATOR SOCKET
6	KONTAKTBUCHSE / CONTACT SOCKET
7	ZYLINDERGHÄUSE / BARREL
9	ÜBERWURFMUTTER / COUPLING NUT
10	DICHTRING FRONT / FRONT SEALING RING



NO.	MASSE / DIMENSION
A	29,2
B	3/4-20UNEF-2A/B
C	28,7

Note: Due to an automatic nomenclature system, numbers generated may not be sequential.  
 Specification and Dimensions subject to change  
 Drawings illustrate normal insulator positioning

Material Specification:	
Shell Material:	Aluminium alloy
Shell Plating:	Nickel plated
Insulator Material:	CR-Elastomere
Contact Material:	Copper alloy
Contact Plating:	Hard silver

all dimensions are in mm  
 Dimensions without tolerance indications are general tolerances in acc. with DIN7168m  
 drawing for CUSTOMER



description CA06COM-E14S-6S-B-F42  
 Plug, straight  
 without Endbell  
 Solder Cup / Socket / Layout: 14S-6

© All rights reserved. Reproduction or issue to third in any form whatever is only permitted with written authorization of ITT Cannon  
 page 1/1  
 revision 1029 28. Mar 24