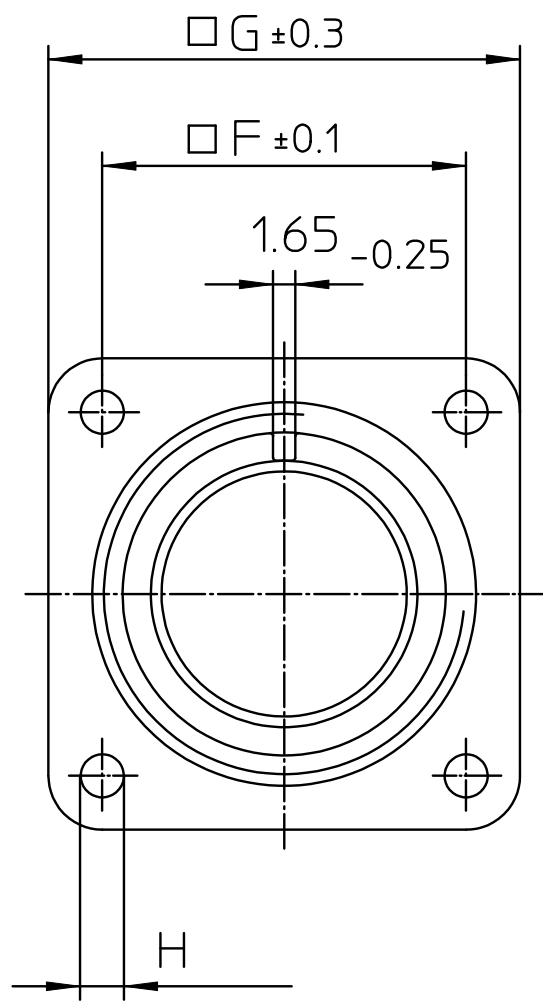
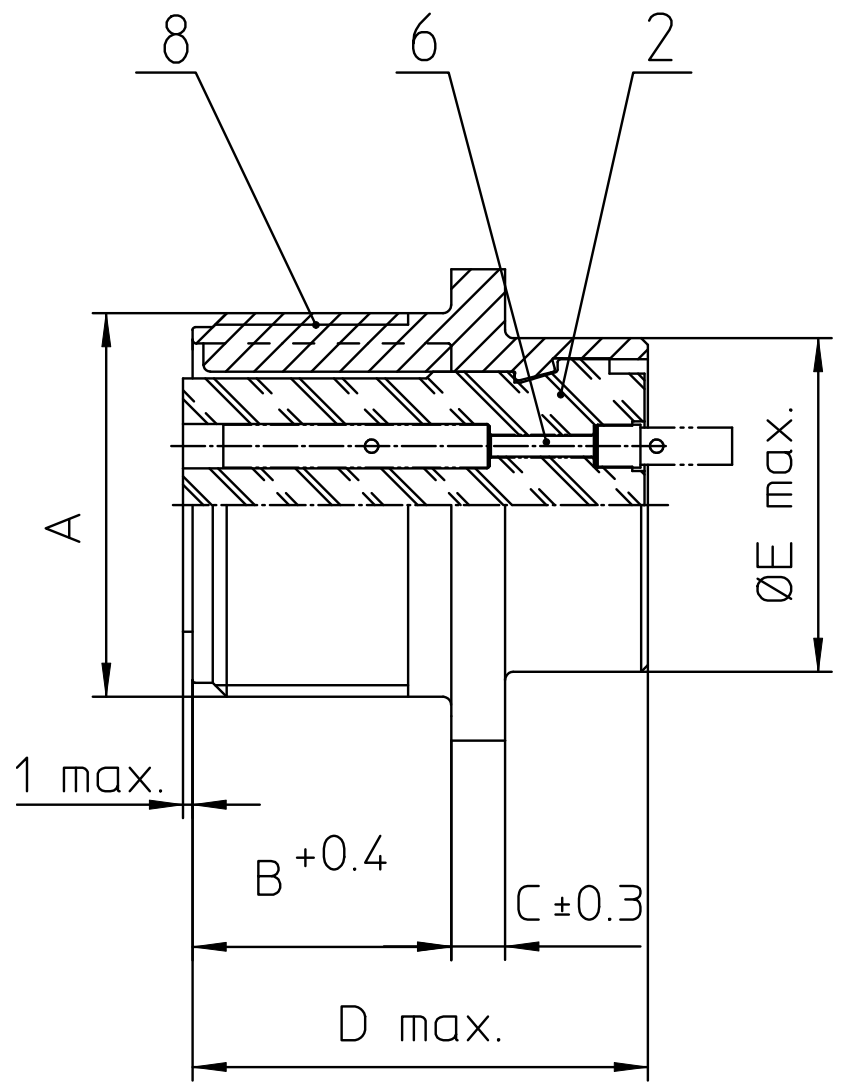
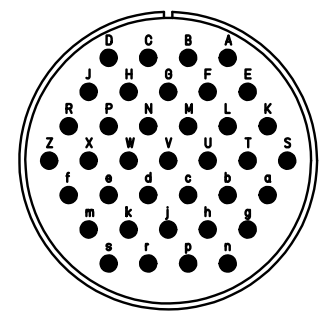


NO.	MASSE / DIMENSION
A	1 3/4-18UNS-2A
B	20,6
C	4
D	34,2
E	41,2
F	39,7
G	50,8
H	3,7



NO.	BESCHREIBUNG / DESCRIPTION
2	ISOLIERKÖRPER BUCHSE / INSULATOR SOCKET
6	KONTAKTBUCHSE / CONTACT SOCKET
8	DOSENGEHÄUSE / SHELL



Note: Due to an automatic nomenclature system, numbers generated may not be sequential.
 Specification and Dimensions subject to change
 Drawings illustrate normal insulator positioning and installed contacts

Material Specification:	
Shell Material:	Aluminium alloy
Shell Plating:	Nickel plated
Insulator Material:	CR-Elastomere
Contact Material:	Copper alloy
Contact Plating:	Hard silver

all dimensions are in mm
 Dimensions without tolerance indications are general tolerances in acc. with DIN7168m

drawing for CUSTOMER

description CA02COM-E28-21S-F0
 Box mounting receptacle

Solder Cup / Socket / Layout: 28-21
 Delivery without contacts

Engineered for life
 ITT CANNON GmbH
 D - 71384 Weinstadt/Germany