

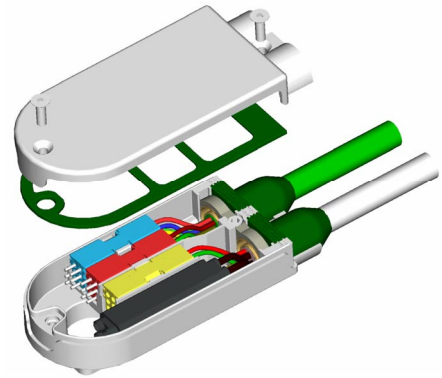
Cm3 Connector

Features / Benefits

- Maximum power / minimum size
- New low profile design for space sensitive applications
- Replaces conventional circular connectors (50% less weight)
- Simple harnessing and fast installation
- Easy contact assembly without tool
- Only one housing for signal and power connectors.
- Excellent vibration resistance
- Completely sealed and shielded
- 2 sealed entries for power and signal cable

Typical Applications

- Small servo motors
- Factory automation
- Material handling
- Industrial motion control
- Robotics



Materials:

HOUSING: Zinc die cast, plating optional
INSULATORS: PA / PBT glass filled
SEALING: FKM (Viton) or Neoprene
CRIMP SLEEVE: Brass
CONTACT MATERIAL: Brass / Beryllium Copper, gold plated

Mechanical:

MATING CYCLES: min 50
MECHANICAL CODING: 3 coding keys for signal
MAX. CABLE DIAMETER: 11 mm
WEIGHT: approx. 170 g (without cable)

Operation Environment

OPERATION TEMPERATURE: -40 °C – 125 °C
STORAGE TEMPERATURE: -40°C – 80°C
CLIMATIC CATEGORY -40°C / 125 °C / 56°C
WATER TIGHTNESS: IP 65 (CR seal) or IP 67 (FKM seal)

NOTE: Specifications and materials subject to change.

Specifications

POWER

CURRENT RATING: 18 A ; +80 °C (176 °F) motor surface temp. and 40 °C (104 °F) ambient temp.
MAXIMUM VOLTAGE: 630 VAC
OVER VOLTAGE CATEGORY II: Test voltage 4,8 KV
DIELECTRIC STRENGTH: 2,2 KV
CONTACT RESISTANCE: < 5 mOhm
INSULATION RESISTANCE: ≥ 5000 MOhm
POLLUTION DEGREE: 2
CABLE DIAMETER MAX: 11 mm
CRIMP TERMINATION (CABLE SIDE):
Max 1,5 mm² / AWG 16
(0.002325 in² / AWG 16)
CRIMP TERMINATION (INSIDE MOTOR):
0,25 mm² - 1,5 mm² / AWG 24 – 16
(0.0003173 in² - 0.0020284 in² / AWG 24 16)

SIGNAL:

CURRENT RATING AT 80°C (176 °F) ambient temp: 3A max
MAXIMUM VOLTAGE 48 VAC
DIELECTRIC STRENGTH: 500 VDC
CONTACT RESISTANCE < 10 mOhm
INSULATION RESISTANCE ≥ 5000 M Ohm
CABLE DIAMETER MAX: 11 mm
CRIMP TERMINATION (CABLE SIDE):
1 mm² / AWG 18 (0.001608 in² / AWG 17)
CRIMP TERMINATION (INSIDE MOTOR):
0.14 mm² - 0.5 mm² / AWG 26 – AWG 21
(0.00019955 in² - 0.00063614 in² / AWG 26 21)

Order code on next page

Specifications and dimensions subject to change.

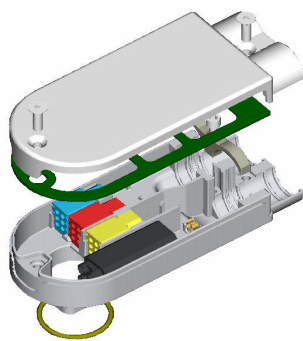
www.ittcannon.com/servomotors_connectors



CM3 Connector

To order, simply select desired option from each category and place in the appropriate box.

HOUSING ORDER CODE



Housing

Insulator

M3	-	B	L	W	C	1	-	1	0	-	1	0	0	0	-	0
----	---	---	---	---	---	---	---	---	---	---	---	---	---	---	---	---

Designation
M3

Housing / Shielding Barrier
L Shielding Left
R Shielding Right
N None Shielding
0 Without base part

Fixing screws
W With 4 screws
0 Without screws

Cover
1 With cover
0 Without

Sealing Class / Material
1 IP65 (CR black)
2 IP 67* (FKM green)

Plating
0 Unplated
1 Light chromated

Modification VS Code
0 no code
1 TBD

Signal Coding 2 (yellow)
0 Without Insulator
1 With insulator

Signal Coding 1 (blue)
0 Without Insulator
1 With insulator

Signal Coding 0 (red)
0 Without Insulator
1 With insulator

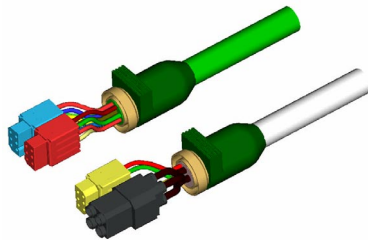
Power
0 Without Insulator
1 With insulator

Contact Motor Side	Required	Packaging Unit	Order Number
D-Sub signal pin / 0,25-0,5 mm ²	18 x	5,000 per reel	980-2000-945
(S-Sub signal pin / 0,08-0,2 mm ²)	(18 x)	5,000 per reel	980-2000-946
Trident power pin 0,6-1,5 mm ²	4 x	100	192991-0084

* Please contact customer service for more information

Cable Power Cable Signal Insulator

CABLE SIDE ORDER CODE



M3	-	P	1	-	S	1	-	1	-	1	1	1	0	-	0
----	---	---	---	---	---	---	---	---	---	---	---	---	---	---	---

Designation
M3

Power

Cable diameter
0 Without Power Line
1 Cable diameter 7-8 mm
2 Cable diameter 8-9 mm
3 Cable diameter 9-10 mm
4 Cable diameter 10-11 mm

Signal Crimp

Cable diameter
0 Without Power Line
1 Cable diameter 7-8 mm
2 Cable diameter 8-9 mm
3 Cable diameter 9-10 mm
4 Cable diameter 10-11 mm

Sealing Class / Material
1 IP65 (CR black)
2 IP 67* (FKM green)

Modification VS Code
0 no code
1 TBD

Signal Coding 2 (yellow)
0 Without Insulator
1 With insulator

Signal Coding 1 (blue)
0 Without Insulator
1 With insulator

Signal Coding 0 (red)
0 Without insulator
1 With insulator

Power
0 Without Insulator
1 With insulator

Contact Cable Side	Required	Packaging Unit	Order Number
Signal 1 mm Skt. / 0,14-1,0 mm ²	max 18 x	100	980-8681-150
Signal 1 mm Spring wire (opt.)	max 18 x	100	980-8681-023
Trident Power Skt. 0,6-1,5 mm ²	3	100	192991-0047
Trident Power Skt. GND	1	100	031-8565-000

* Please contact customer service for more information

Specifications and dimensions subject to change.

www.ittcannon.com/servomotors_connectors

