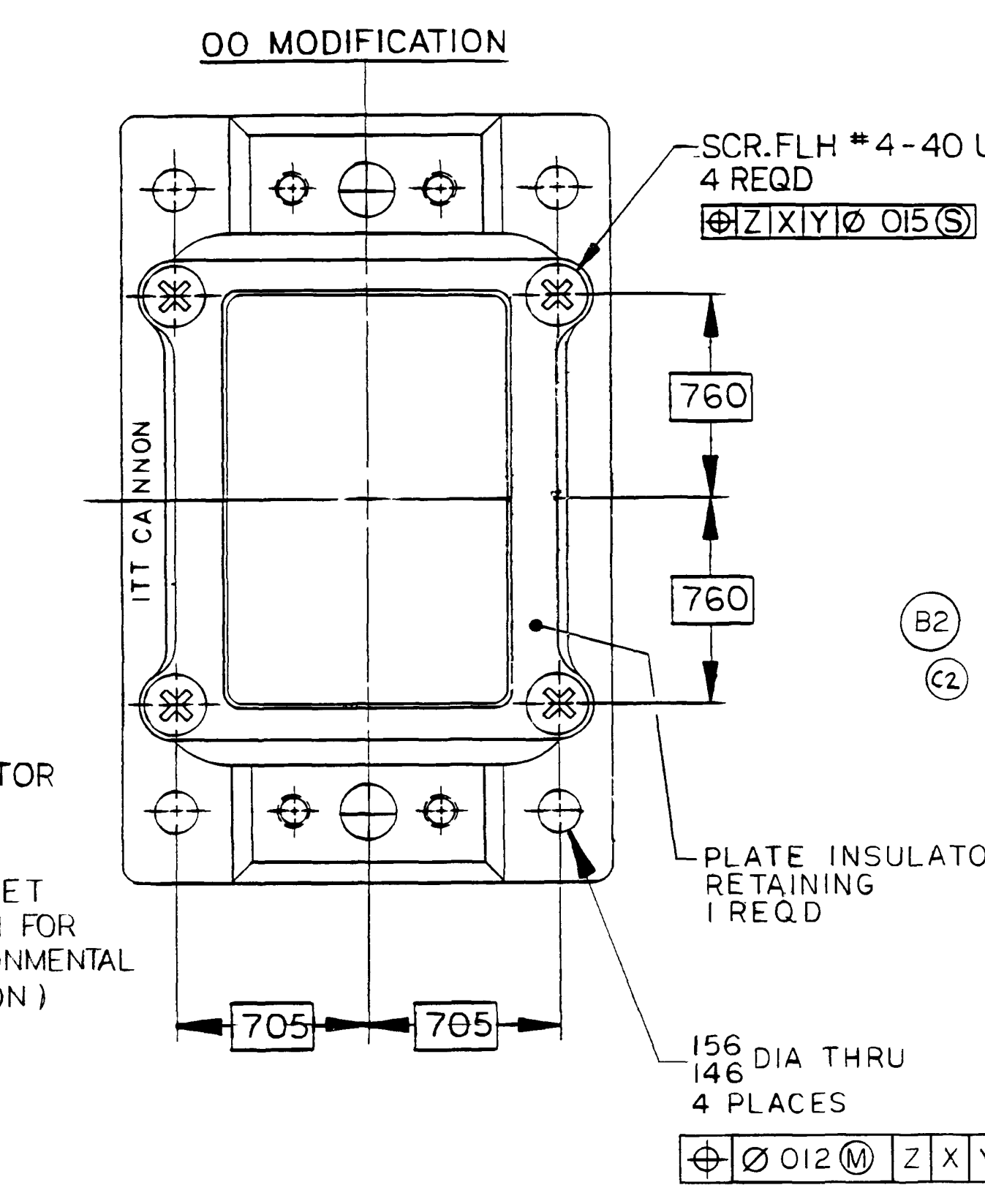
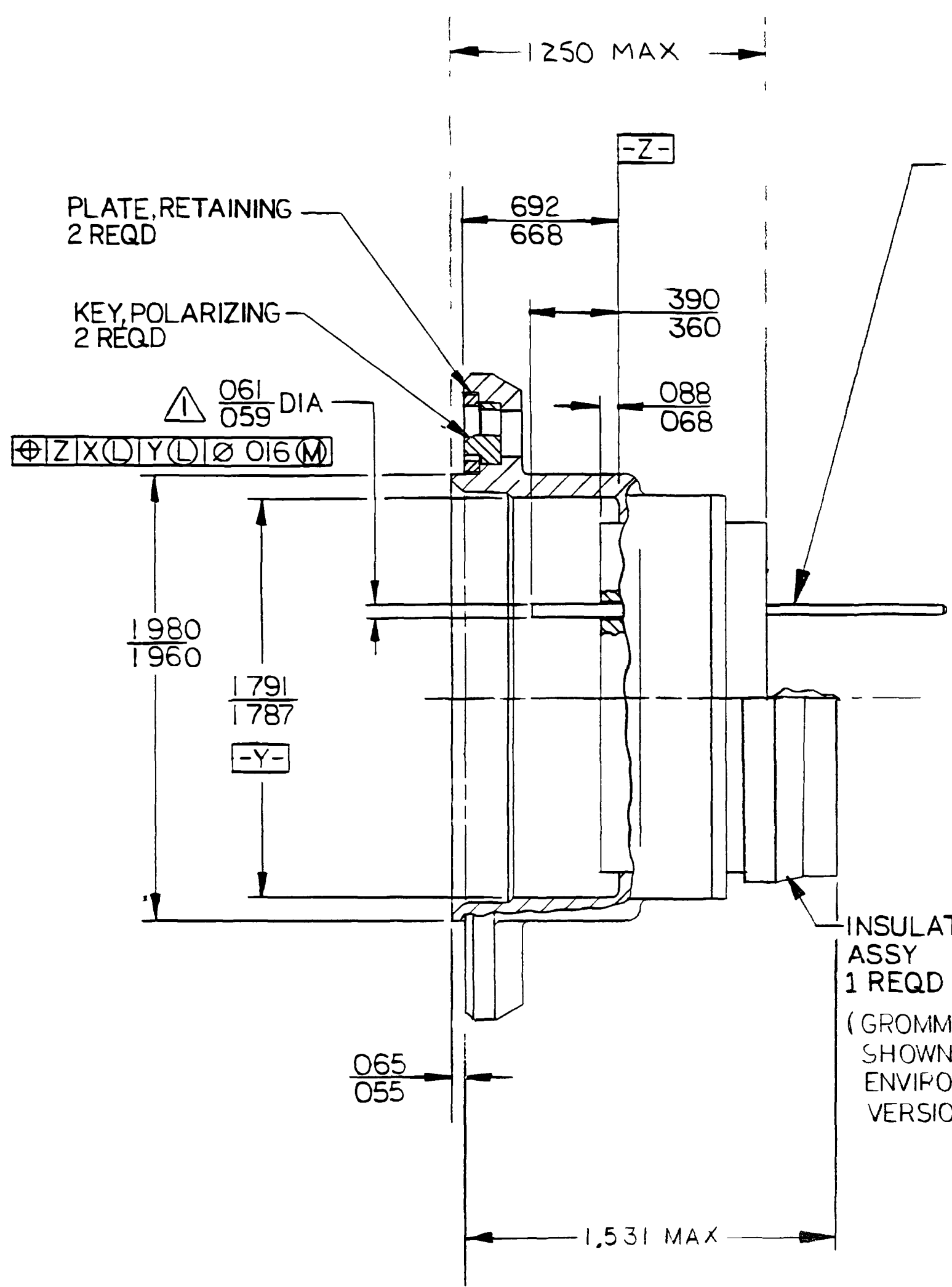
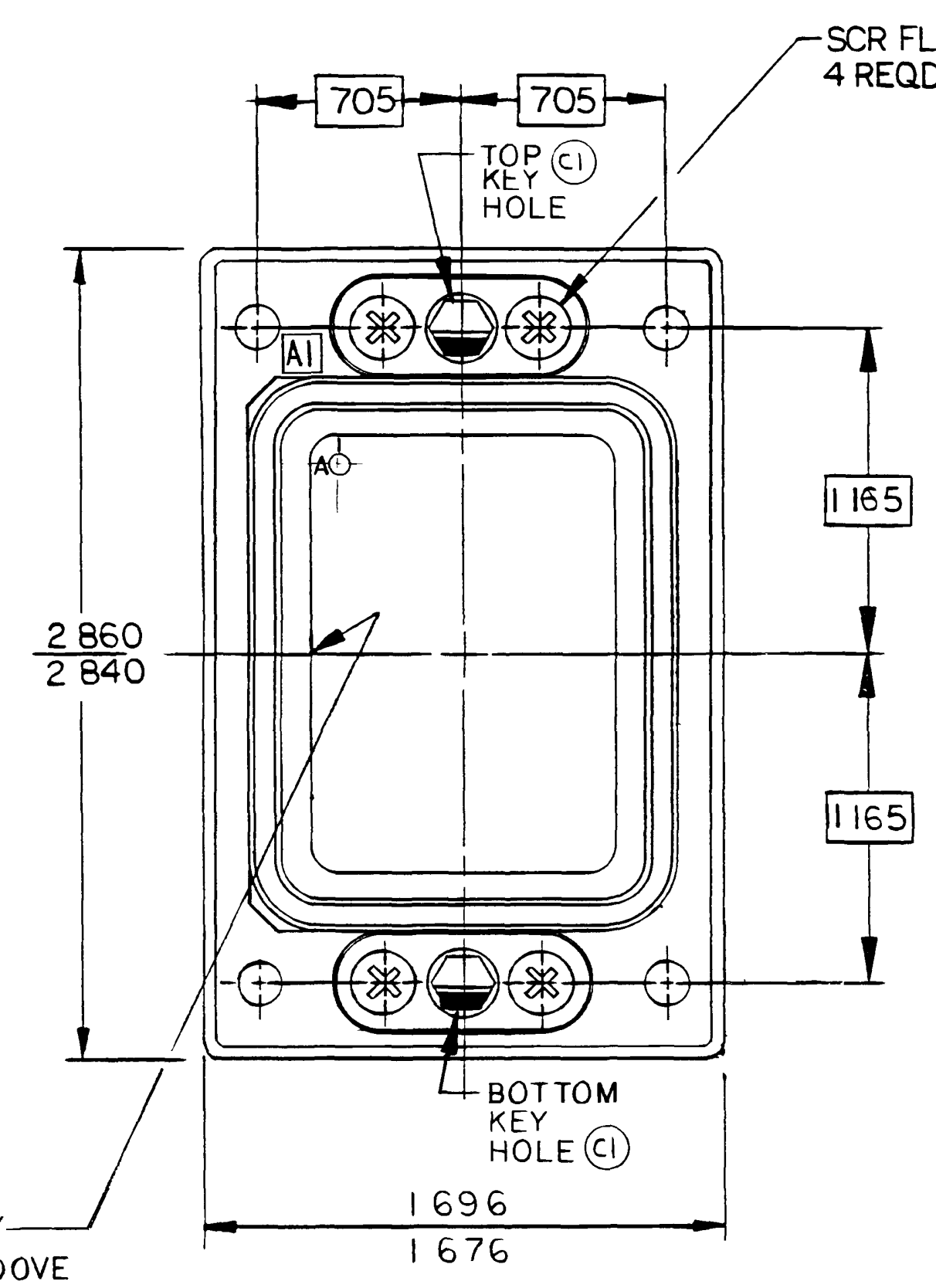


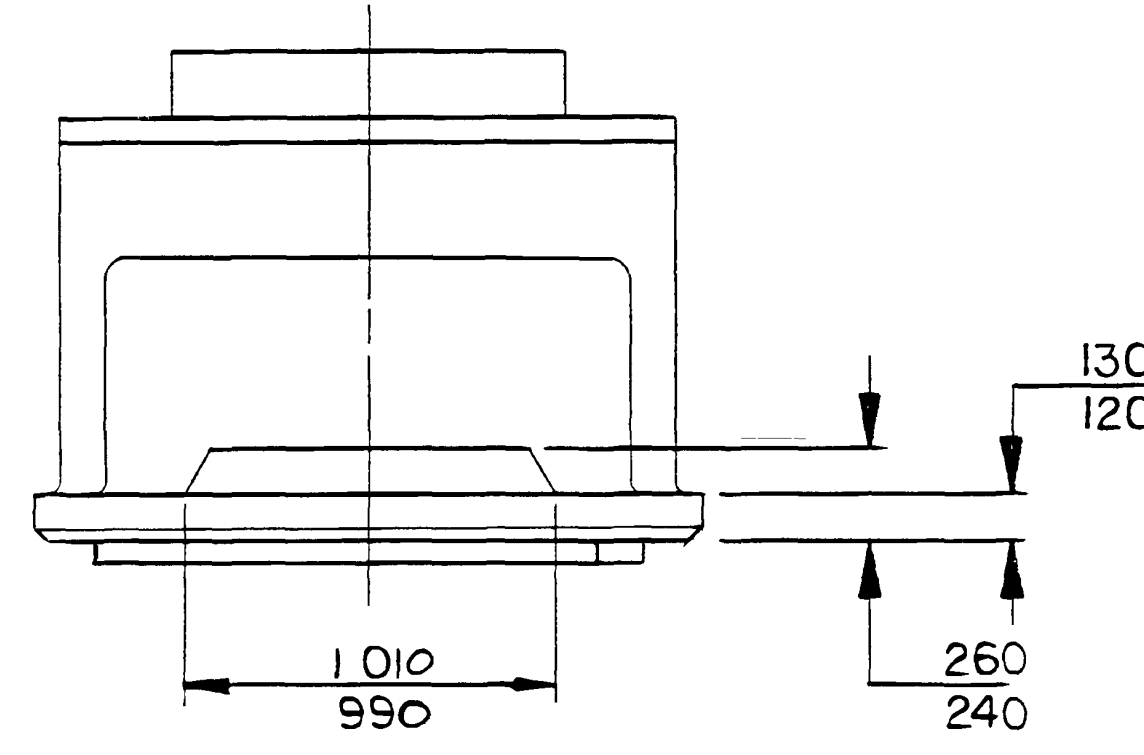
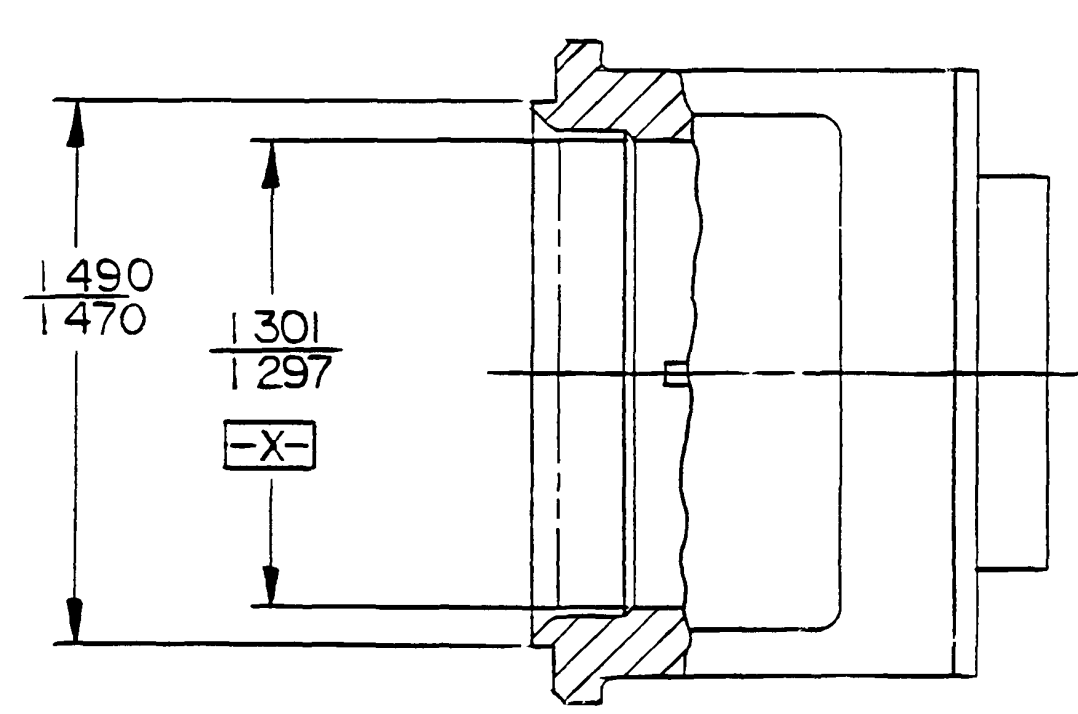
THIS IS ISSUED IN STRICT CONFIDENCE ON CONDITION THAT IT IS NOT USED AS A BASIS FOR MANUFACTURE OR SALE AND THAT IT IS NOT COPIED, REPRINTED OR DISCLOSED TO A THIRD PARTY EITHER WHOLLY OR IN PART WITHOUT THE PRIOR WRITTEN CONSENT OF ITT CANNON ELECTRIC

REVISIONS				
ZONE	LTR	DESCRIPTION	DATE	APPROVED
A		PEDESIGNED DCN A001695	KN 4-22-86	4/22/86 RJ
B		1) REVISED & UPDATED PART NO TABLE 2) ADDED RECEPTACLE ASSY POSITIONING TABLE DCN A002129	10/19/86 RJ	10/19/86 RJ
C		D WAS LEFT/RIGHT KEY 2) REVISED POSITION TABLE DCN M003485 BJ	2/10/89 BJ	2/23/89 RJ



POSITIONS					
1	2	3	4	5	6
* POSITION OF KEY					
POSITION NUMBER	TOP KEY	BOTTOM KEY	POSITION NUMBER	TOP KEY	BOTTOM KEY
01	1	1	19	4	1
02	3	4	20	3	1
03	2	4	21	2	1
04	1	4	22	4	4
05	6	4	23	6	1
06	5	4	24	5	1
07	4	5	25	1	3
08	3	5	26	2	3
09	2	5	27	3	3
10	1	5	28	4	3
11	6	5	29	5	3
12	5	5	30	6	3
13	4	6	31	1	2
14	3	6	32	2	2
15	2	6	33	3	2
16	1	6	34	4	2
17	6	6	35	5	2
18	5	6	36	6	2

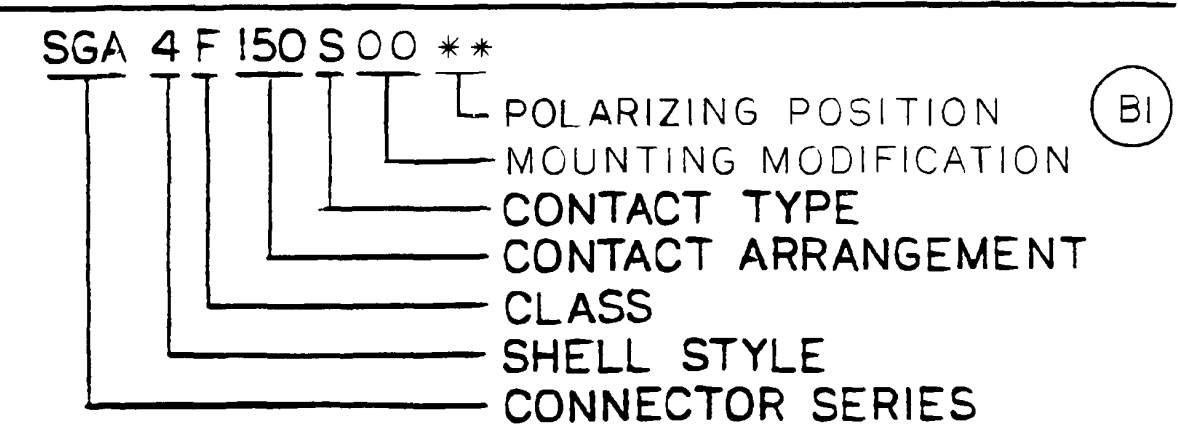
*LIGHT SEGMENT INDICATES KEY HOLE IN RECEPTACLE



NOTES UNLESS OTHERWISE SPECIFIED

- ▲ THE 016 DIA INCLUDES THE POSITIONAL TOLERANCE OF THE CONTACT CAVITY PLUS THE MAXIMUM AMOUNT OF CONTACT DIAMETRAL SPLAY
- ▲ CONTACT REMOVAL TOOL - ITT CANNON P/N CET - BKAF - 22S
- ▲ FOR P/N S OF SOLDER OR WRAP POST CONTACTS, REFER TO "ITT CANNON BKA PRODUCT CATALOG
- ▲ FOR FINISHES OTHER THAN SPECIFIED REFER TO ITT CANNON RACK AND PANEL CONNECTOR CATALOG OR CONSULT PRODUCT LINE SPECIALIST.

BREAKDOWN OF ITT CANNON PART NUMBER



REFERENCE	INTENDED USE CUSTOMER USE	PART NUMBER N/A
DRAWN KHUYEN NGUYEN 10-11-85	CHECKED R Johnson 10/22/85	APPROVED Carl Johnson 10/24/85
MATERIAL SEE SHEET 2	PRODUCT SAFETY 1/24/82	MATERIALS & PROCESS
FINISH SEE SHEET 2	QUALITY CONTROL	MANUFACTURABILITY
CONNECTOR, ELECTRICAL, RECEPTACLE ASSY SGA		
SIZE D	CODE IDENT NO 71468	027001Y0000
SCALE NONE	WT	SHEET 1 OF 2

CC2580 SA (REV 384)

EXPORT CODE C

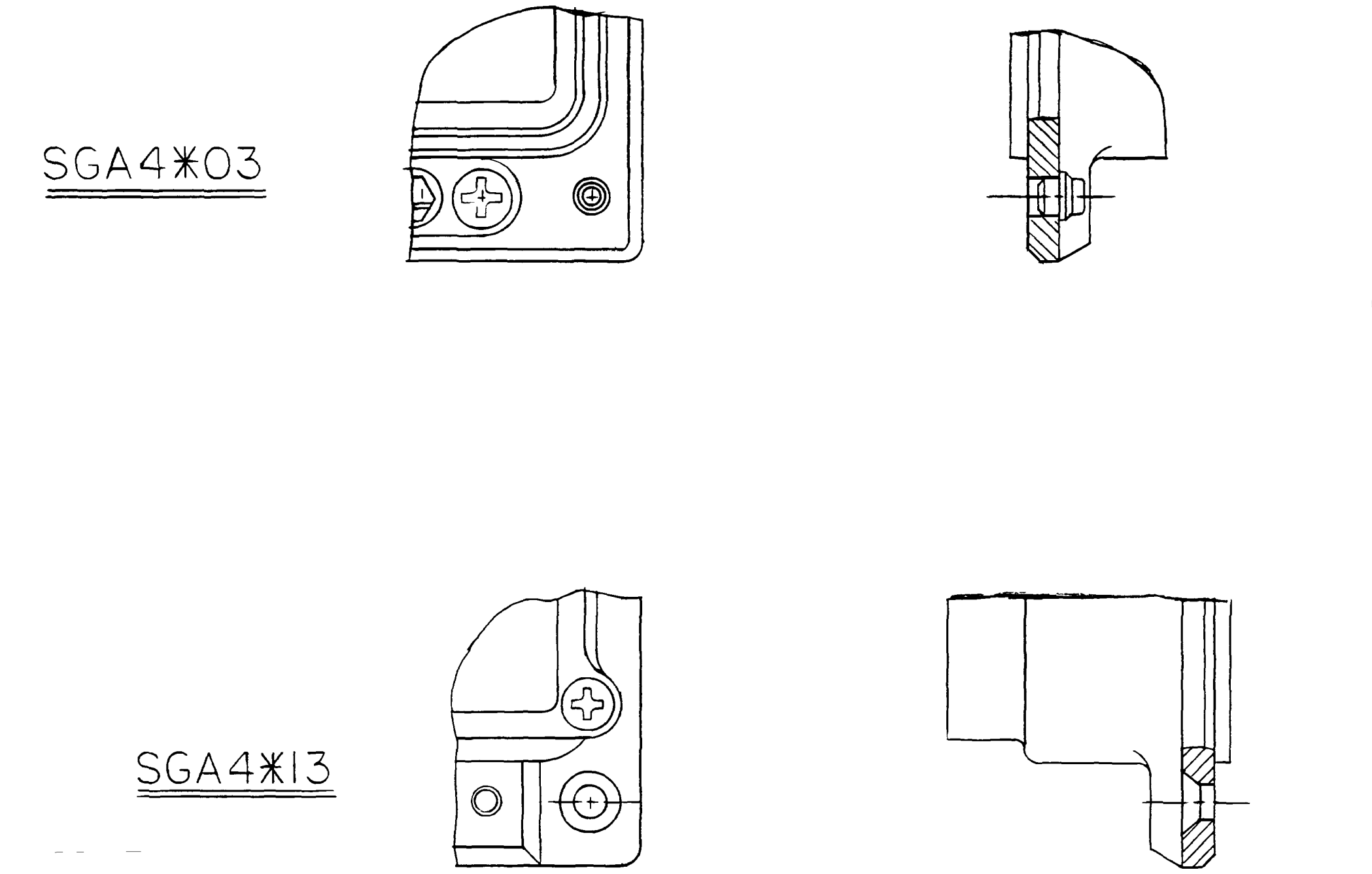
This document contains technical data that is subject to export controls under the Export Administration Act and Export Administration Regulations (15 CFR 70, et seq.). Any transfer of this data to non-US persons or to any location outside the United States must be in compliance with the Export Administration Regulations.

THIS IS ISSUED IN STRICT CONFIDENCE ON CONDITION THAT IT IS NOT USED AS A BASIS FOR MANUFACTURE OR SALE AND THAT IT IS NOT COPIED, REPRINTED OR DISCLOSED TO A THIRD PARTY EITHER WHOLLY OR IN PART WITHOUT THE PRIOR WRITTEN CONSENT OF ITT CANNON ELECTRIC

REVISIONS				
ZONE	LTR	DESCRIPTION	DATE	APPROVED
		SEE SHEET 1 FOR CHANGES		



CONTACT, SOCKET	COPPER ALLOY PER QQ-C-533	GOLD PER MIL G-45204
DUST COVER	CONDUCTIVE POLYPROPYLENE	NONE
GROMMET	SILICONE BASE ELASTOMER	
INSULATOR	THERMOPLASTIC	
HARDWARE	STAINLESS STEEL PER QQ-S-764	PASSIVATE PER QQ-P-35
	ALUMINUM ALLOY PER QQ-A-250/11	CLEAR CHROMATE OVER CADMIUM PER QQ-P-416
SHELL	DIE CAST ALUMINUM ALLOY PER QQ-A-591 (A380)	
DESCRIPTION	MATERIAL	FINISH Δ



REFERENCE	INTENDED USE CUSTOMER USE	PART NUMBER N/A
<small>DIMENSIONS ARE IN INCHES TOLERANCES: DIM. ANGLES</small> DECIMALS .010 XX .010 XXX .000	DRAWN KHUYEN NGUYEN CHECKED R. Johnson APPROVED Carl Dummer PRODUCT SAFETY H. Nails	10-11 85 10/22/ 85 4/23/ 86 10/24/85
MATERIAL SEE ABOVE	APPROVED MATERIALS & PROCESS	ITT CANNON ELECTRIC <small>SANTA ANA, CALIFORNIA OFFICE</small> <small>A Division of International Telephone and Telegraph Corporation</small> CONNECTOR, ELECTRICAL, RECEPTACLE ASSY. SGA
FINISH SEE ABOVE	QUALITY CONTROL	
TREATMENT	MANUFACTURABILITY	SIZE CODE IDENT NO D 71468 027001Y0000 SCALE NONE WT SHEET 2 OF 2

ccc2550 SA (REV 3-84)

DRAWN BY: 027001Y0000

EXPORT CODE C

This document contains technical data that is subject to export controls under the Export Administration Act and Export Administration Regulations (15 CFR 70, et seq.). Any transfer of this data to non-US persons or to any location outside the United States must be in compliance with the Export Administration Regulations.