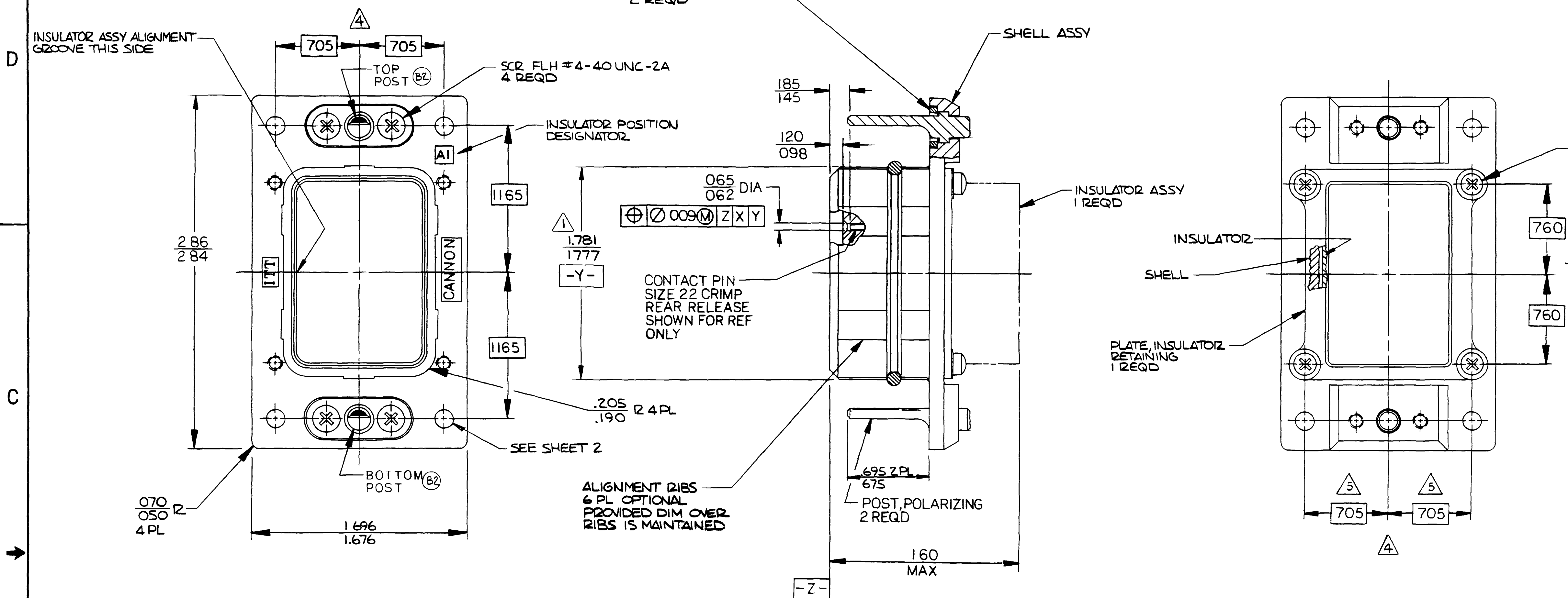


THIS IS ISSUED IN STRICT CONFIDENCE ON CONDITION THAT IT IS NOT USED AS A BASIS FOR MANUFACTURE OR SALE AND THAT IT IS NOT COPIED REPRINTED OR DISCLOSED TO A THIRD PARTY EITHER WHOLLY OR IN PART WITHOUT THE PRIOR WRITTEN CONSENT OF ITT CANNON ELECTRIC

REVISIONS				
ZONE	LTR	DESCRIPTION	DATE	APPROVED
A		1) REVISED & UPDATED PART NO TABLE 2) ADDED PLUG ASSY POSITIONING TABLE DCN A002129	10 2 86 BJ	10/9/86 RJ
B		1) REVISED POSITION TABLE 2) WAS LEFT / RIGHT POST DCN M003485 BJ	2-9 89	2/23/89 RJ
C		1) ADDED NOTE 4 2) ADDED SGA3X14 VIEW DCN M004182 CR	2/19/90	2/21/90 RJ
D		REVISED PEP DCN M005195	5 14 31	5/15/91 KN

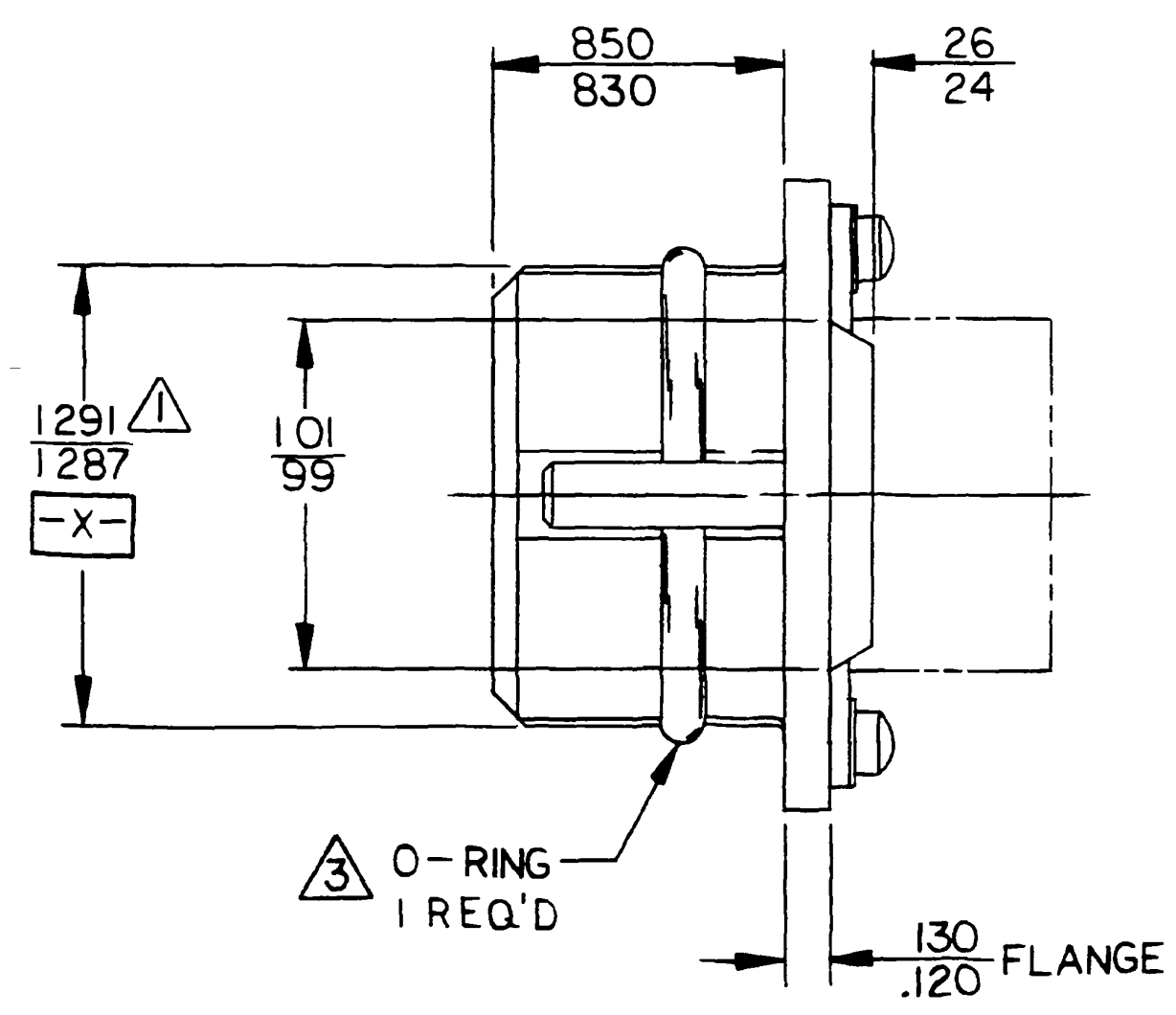


SCR, PNH #4-40 UNC -2A 4 REQD
 ⊕ Z X Y ∅ 015 S

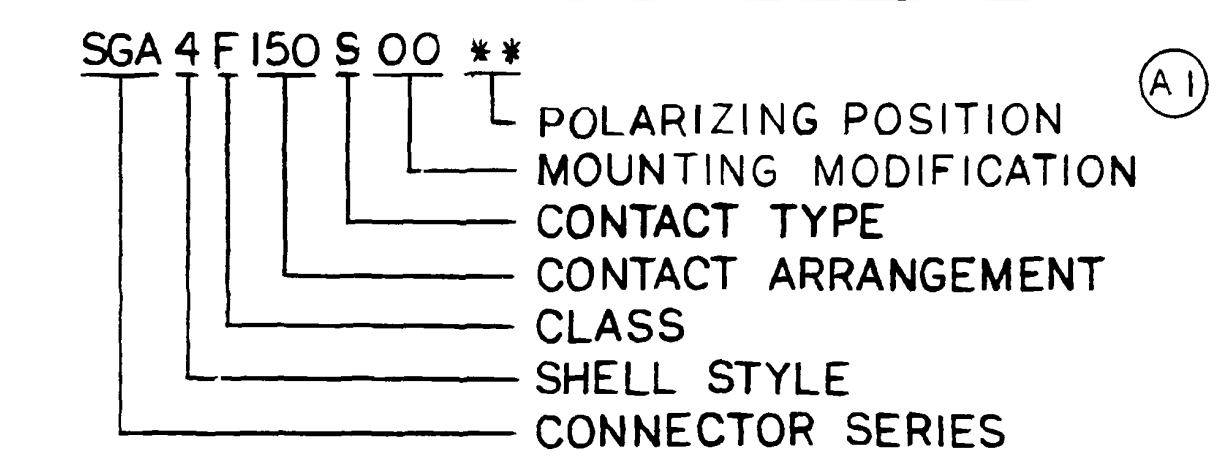
POSITIONS					
* POSITION OF POST					
POSITION NUMBER	TOP POST	BOTTOM POST	POSITION NUMBER	TOP POST	BOTTOM POST
01	4	4	19	1	4
02	2	1	20	2	4
03	3	1	21	3	4
04	4	1	22	1	1
05	5	1	23	5	4
06	6	1	24	6	4
07	1	6	25	1	3
08	2	6	26	2	3
09	3	6	27	3	3
10	4	6	28	4	3
11	5	6	29	5	3
12	6	6	30	6	3
13	1	5	31	1	2
14	2	5	32	2	2
15	3	5	33	3	2
16	4	5	34	4	2
17	5	5	35	5	2
18	6	5	36	6	2

* DARK SEGMENT INDICATES EXTENDED PART OF POST IN PLUG

- NOTES UNLESS OTHERWISE SPECIFIED
- ⚠ IT IS NOT NECESSARY FOR SHELL TO HAVE ALIGNMENT RIBS PROVIDING SAME DIMENSIONS ARE MAINTAINED
 - 2 FOR INSERTION AND EXTRACTION AND CRIMPING OF SIZE 22 PIN CONTACTS USE THE FOLLOWING
 - A) INSERTION/EXTRACTION PLASTIC TOOL ITTCE NO CIET -22
 - B) CRIMP TOOL TOOL NO -M22520/2-01 LOCATOR NO -M22520/2-23
 - ⚠ O-RING APPLICABLE TO SGA3E CONNECTORS ONLY
 - ⓐ THIS DIMENSION APPLIES TO MOUNTING MODIFICATIONS -00, -03, -06, -12 & -14 ALL OTHER LISTED MOD CODE DIMENSIONS ARE 650 BASIC
 - ⓑ FOR NEW PART NUMBERS & CONFIGURATION MOUNTING MODIFICATION "12" HAS BEEN SUPERSEDED BY MOUNTING MODIFICATION "14" EXISTING PART NUMBERS ASSIGNED WITH "12" MOUNTING MODIFICATION WILL USE CONNECTOR SHELL FOR MOUNTING MODIFICATION "14"



BREAKDOWN OF ITT CANNON PART NUMBER



REFERENCE	INTENDED USE	PART NUMBER
	CUSTOMER USE	N/A
DIMENSIONS ARE IN INCHES DECIMALS FRACTIONS ANGLES .0000 .0005 .0010 .0015 .0020 .0030 .0040 .0050 .0060 .0070 .0080 .0090 .0100 .0150 .0200 .0300 .0400 .0500 .0600 .0700 .0800 .0900 .1000 15 30 45 60 75 90 105 120 150 180 210 240 300 360 450 600 900 1200		
DRAWN	STEVEN WEAKLEY	1-27 86
CHECKED	P. Johnson	2/3/ 86
APPROVED	Con Wummer	4/3/86
PRODUCT SAFETY		
MATERIALS & PROCESS		
QUALITY CONTROL		
MANUFACTURABILITY		
ITT CANNON ELECTRIC 500 EAST DYER ROAD SANTA ANA, CALIFORNIA 92705 A Div. of International Telephone and Telegraph Corporation		CONNECTOR, ELECTRICAL PLUG ASSY SGA
SIZE	CODE IDENT NO	
D	71468	027000Y0000
SCALE	NONE	WT
		SHEET 1 OF 2

EXPORT CODE C

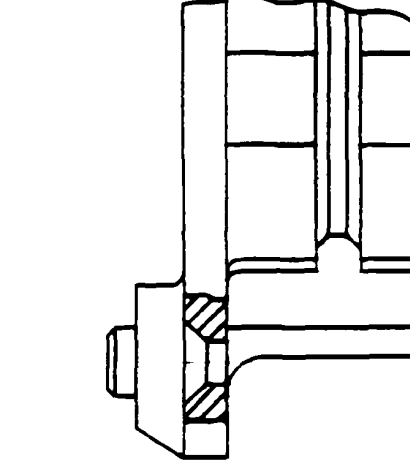
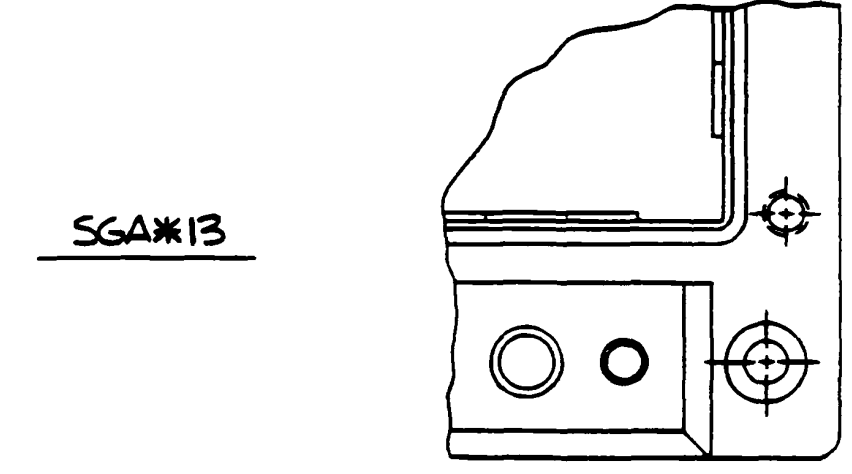
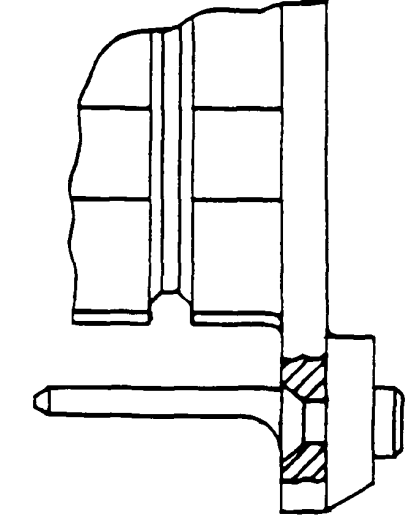
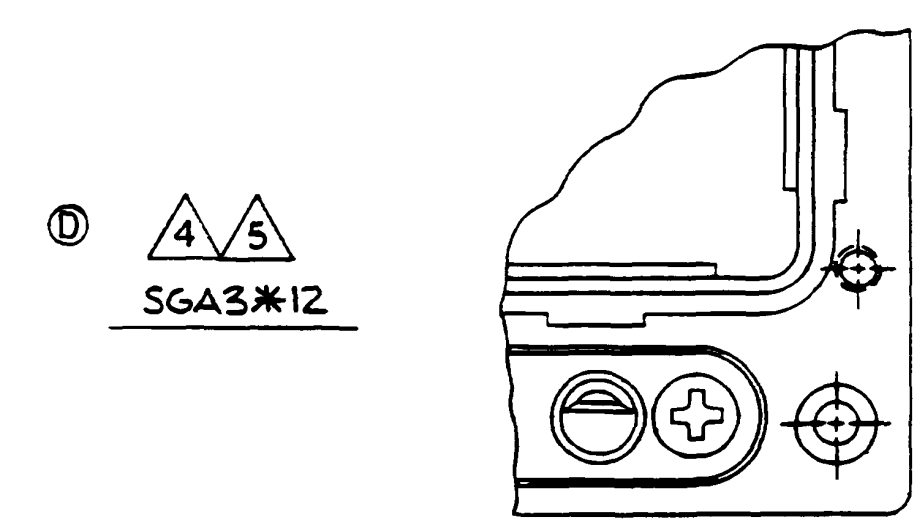
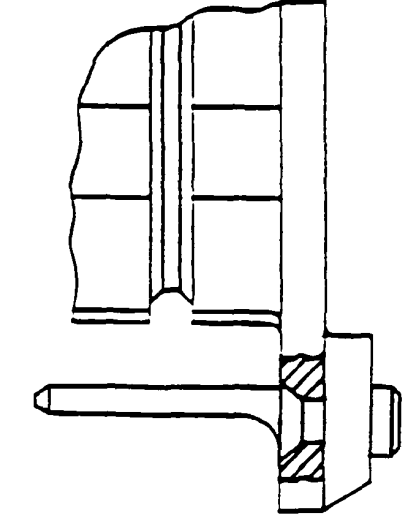
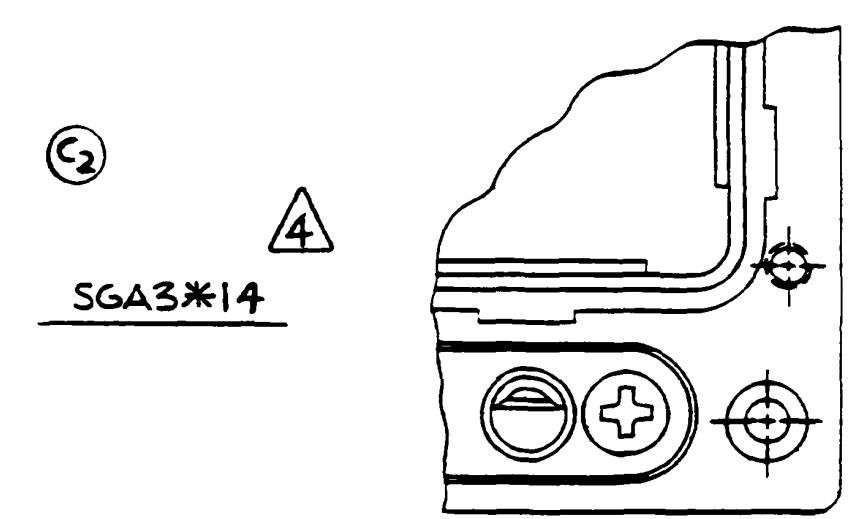
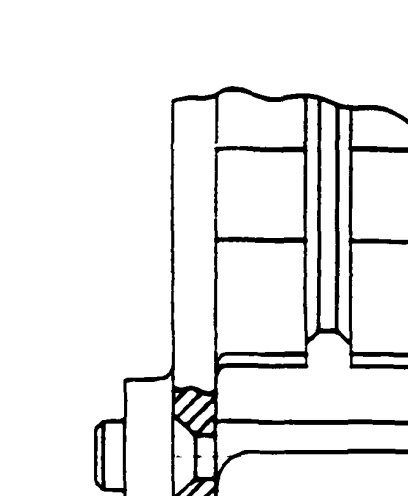
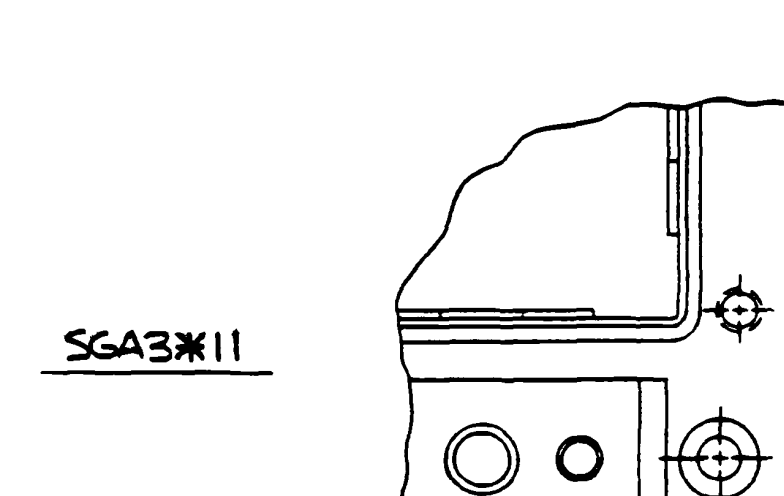
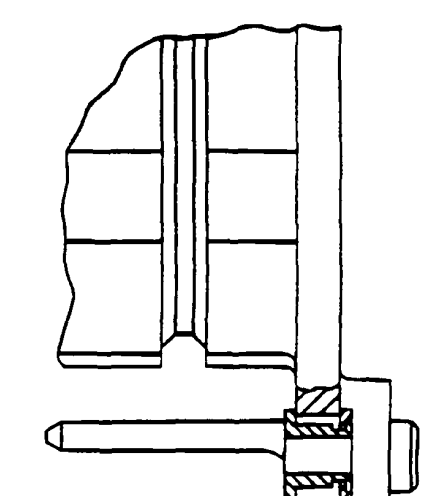
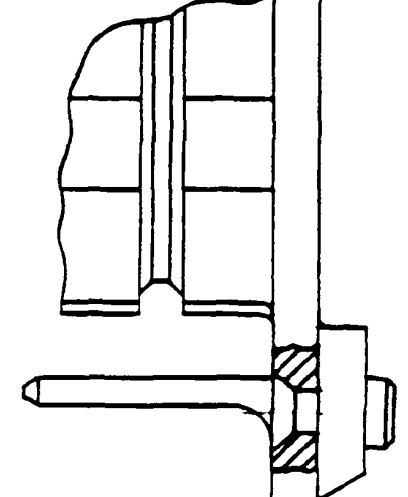
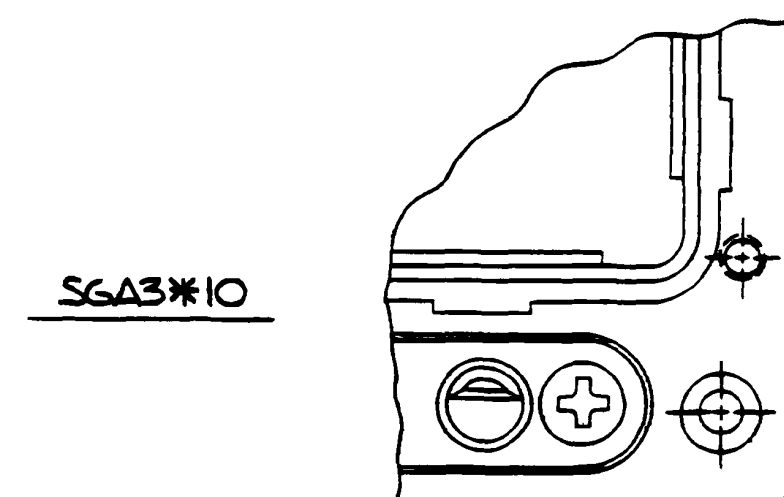
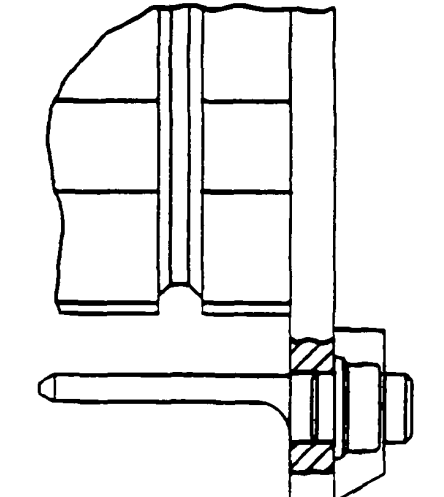
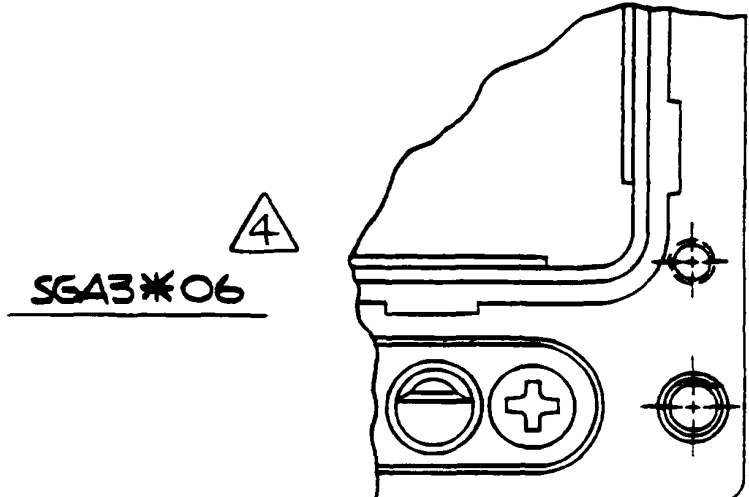
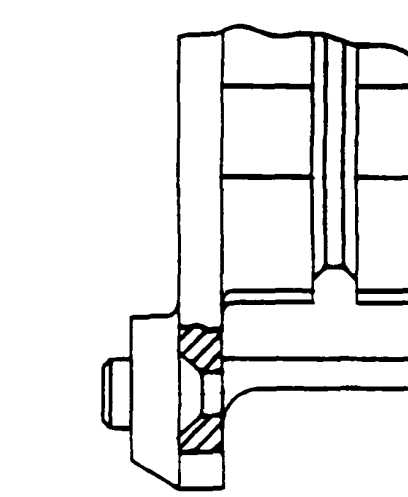
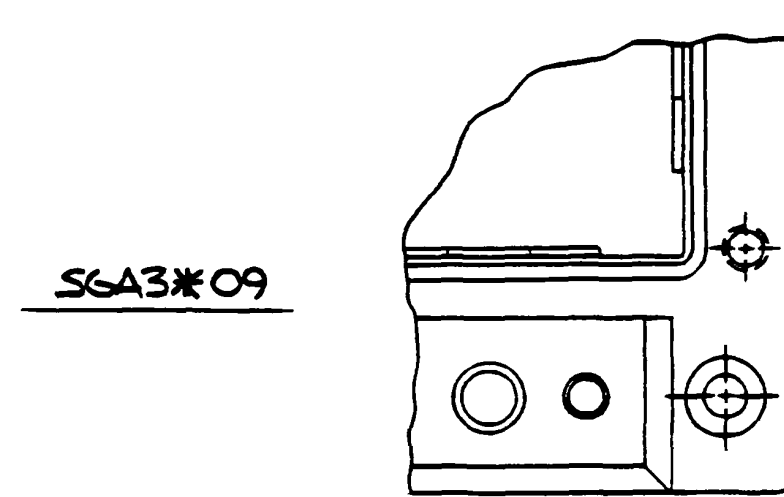
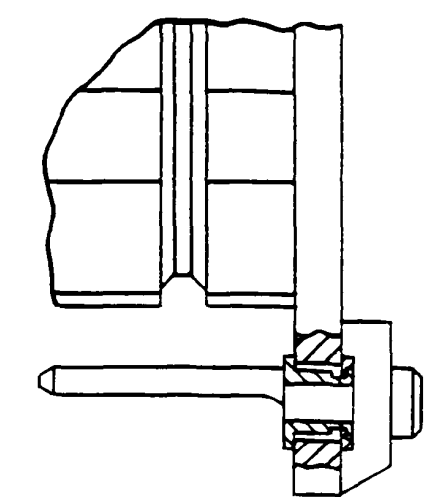
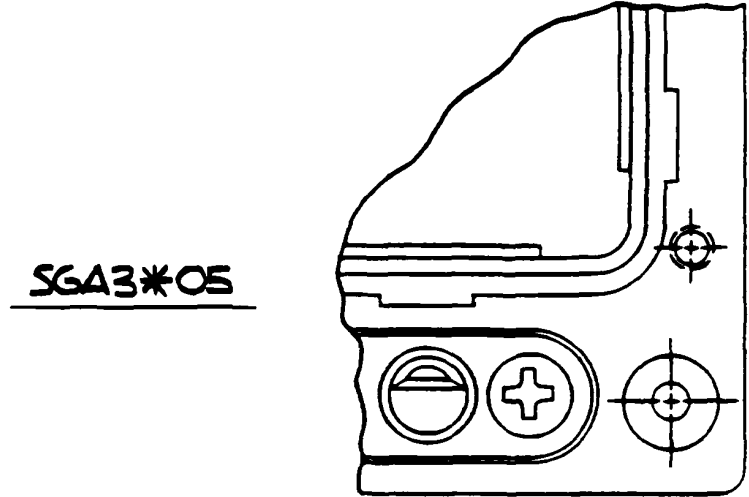
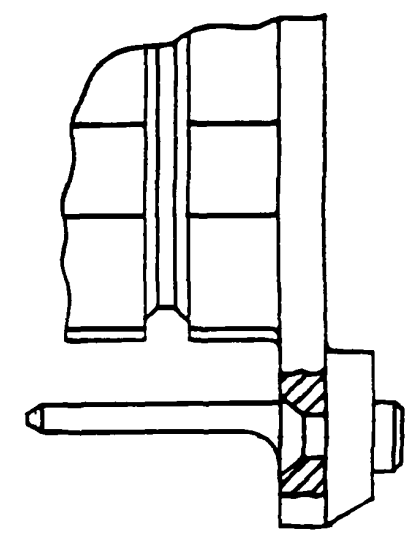
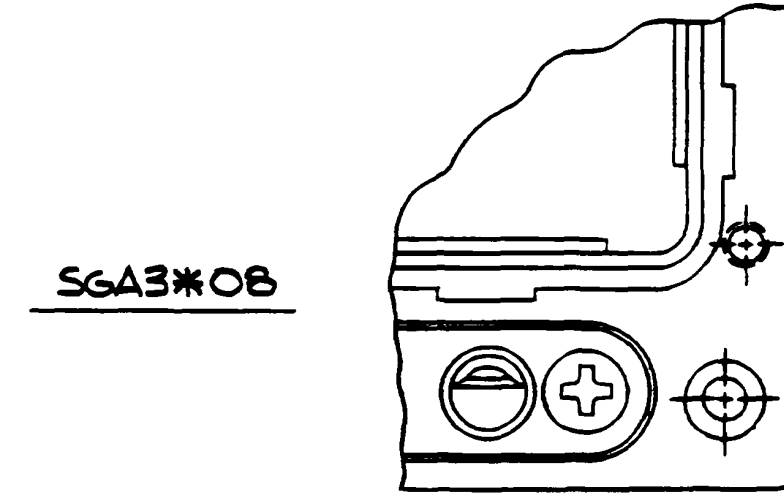
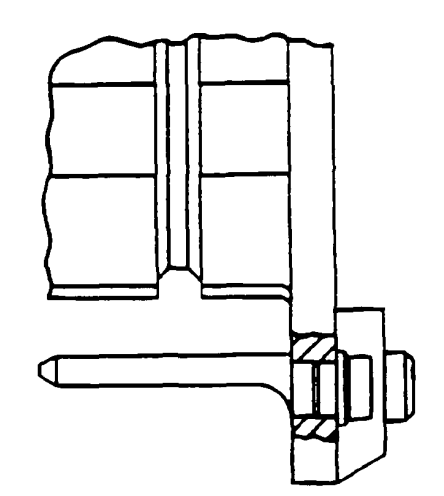
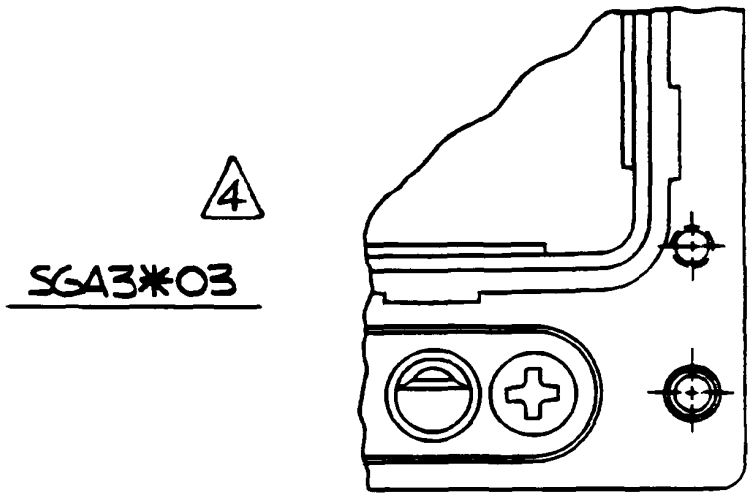
THIS IS ISSUED IN STRICT CONFIDENCE ON CONDITION THAT IT IS NOT USED AS A BASIS FOR MANUFACTURE OR SALE AND THAT IT IS NOT COPIED, REPRINTED OR DISCLOSED TO A THIRD PARTY EITHER WHOLLY OR IN PART WITHOUT THE PRIOR WRITTEN CONSENT OF ITT CANNON ELECTRIC

REVISIONS			
ZONE	LTR	DESCRIPTION	DATE
		SEE SHEET 1 FOR CHANGES	

CONTACTS	COPPER ALLOY PER QQ-C-533	GOLD PER MIL-G-45204
DUST COVER	CONDUCTIVE POLYPROPYLENE	NONE
GROMMET/O RING	SILICONE BASED ELASTOMER	
INSULATOR ASSY	THERMOPLASTIC	
HARDWARE	STAINLESS STEEL PER QQ-S-764	PASSIVATE PER QQ-P-35
	ALUMINUM ALLOY QQ-A-250/11	CLEAR CHROMATE OVER
SHELL ASSY.	DIE CAST ALUMINUM ALLOY QQ-A-591 (A380)	CADMIUM PER QQ-P-416
DESCRIPTION	MATERIAL	FINISH

D
C
B
A

D
C
B
A



REFERENCE	INTENDED USE CUSTOMER USE	PART NUMBER N/A
<small>DIMENSIONS ARE IN INCHES TOLERANCES: .005</small> DRAWN: STEVEN WEAKLEY 1-27/86 CHECKED: R Johnson 2/3/86 APPROVED: Carl Neumann 2/17/86	PRODUCT SAFETY: H. News 7-5-86 MATERIALS & PROCESS QUALITY CONTROL MANUFACTURABILITY	ITT CANNON ELECTRIC 366 EAST OYER ROAD SANTA ANA, CALIFORNIA 92701 A Division of International Telephone and Telegraph Corporation
MATERIAL SEE ABOVE		CONNECTOR, ELECTRICAL PLUG, ASSY SGA
FINISH SEE ABOVE		SIZE: D CODE IDENT NO: 71468
TREATMENT		SCALE: NONE WT: SHEET 2 OF 2

CC2700 SA (REV 384)

027000Y0000

22