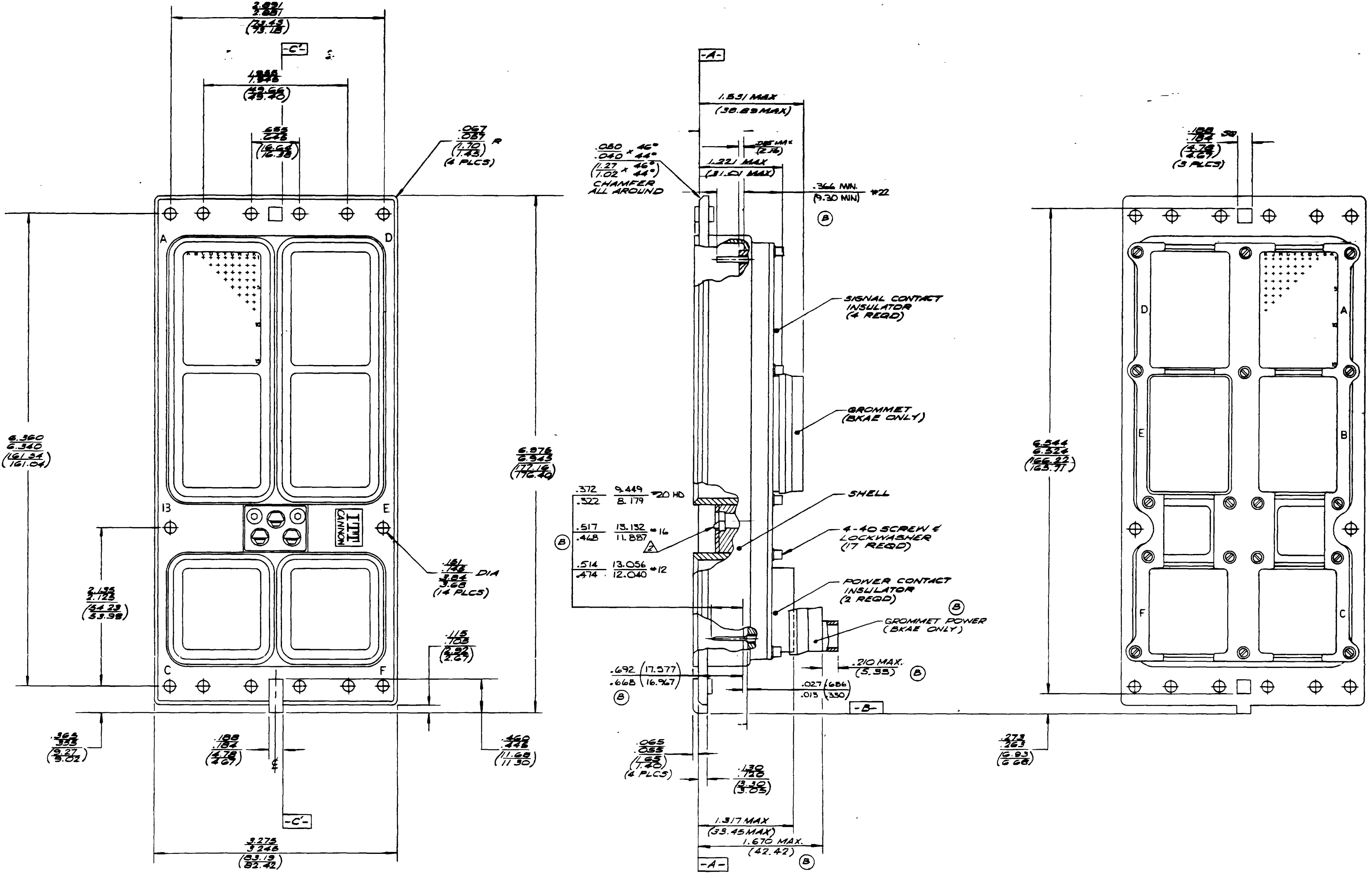


THIS IS ISSUED IN STRICT CONFIDENCE ON CONDITION THAT IT IS NOT USED AS A BASIS FOR MANUFACTURE OR SALE AND THAT IT IS NOT COPIED, REPRINTED OR DISCLOSED TO A THIRD PARTY EITHER WHOLLY OR IN PART WITHOUT THE PRIOR WRITTEN CONSENT OF ITT CANNON ELECTRIC.

REVISIONS			
LTN	DESCRIPTION	DTM	DATE
A	REVISED PER DCN 105347	RM	1-18-77
B	REVISED PER DCN 110205	PDH	2-7-77



.372	9.449	#20 HD
.322	8.179	
.517	13.132	*16
.448	11.887	
.514	13.056	*12
.474	12.040	

NOTES  
 1 FOR CONTACT CRIMP TOOL AND CONTACT INSERTION & EXTRACTION TOOLS REFER TO APPLICABLE ITT CANNON CUSTOMER USE DRAWINGS  
 2 FOR POLARIZATION COMBINATIONS REFER TO ITT CANNON BKAD/BKAE CATALOG

ORDERING INFORMATION  
 SKA \* 2 \*\*\* 4 QQ QI  
 POLARIZING POSITION  
 SHELL MODIFICATION  
 SHELL STYLE - 9 = PLUG  
 - 4 = RECEPTACLE  
 TOTAL NO. OF CONTACTS  
 SHELL SIZE  
 CLASS - D = NON ENVIRONMENTAL  
 E = ENVIRONMENTAL  
 SERIES CANNON PREFIX

REDUCED PRINT

REFERENCE NEINC 600	INTENDED USE CUSTOMER USE	PART NUMBER
UNLESS OTHERWISE SPECIFIED DIMENSIONS ARE IN INCHES TOLERANCE ON DECIMALS ANGLES DO NOT SCALE DRAWING	DRAWN P.G. MILLER 11-4-77 CHECKED J. Langenbach 11/14/77 APPROVED	ITT CANNON ELECTRIC CONNECTOR, ELECTRICAL RECEPTACLE, BKAD/BKAE 3 LOW INSERTION FORCE
DWG NO. E 71468	SCALE 1:1	DWG NO. 1171Y